

DH1660 HOUSE DISTRIBUTION AMPLIFIER HAUSANSCHLUSSVERSTÄRKER DH1660

The DH1660 is a compact house distribution amplifier designed for applications and requirements in broadband installations of the cable network level 4 (NE 4). The amplifier is equipped with adjustable gain and slope controls for forward path whereas the return path is equipped only with gain control.



Der DH1660 ist ein kompakter Hausanschlussverstärker für die Anwendung in Breitbandkabelnetzen auf Netzebene 4. Der Verstärker verfügt über einstellbare Verstärkungs- und Schräglagenregler für den Vorwärtsweg, während es für den Rückweg nur einen Verstärkungsregler gibt.

Technical specifications

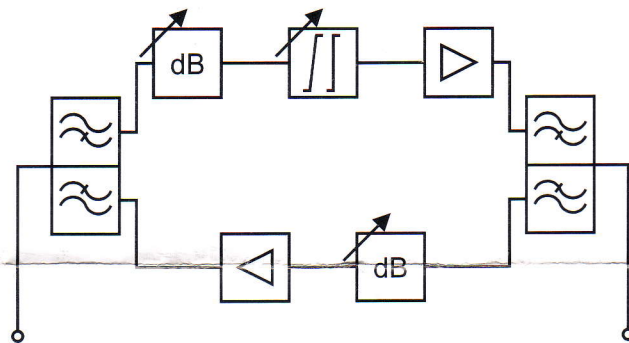
Forward path	
Frequency range	85...1000 MHz
Return loss	18 dB @ 40 MHz -1.5 dB / oct
Gain	31 dB
Input attenuator control range	0...-18 dB
Input equaliser control range	0...-18 dB
Mid-stage slope (fixed)	3 dB
Flatness	± 0.75 dB
Noise figure	6 dB
Output level, CTB CENELEC 42 ch	101 dBµV
Output level, CSO CENELEC 42 ch	101 dBµV
Output level, XMOD CENELEC 42 ch	97 dBµV

Return path	
Frequency range	5...65 MHz
Return loss	18 dB
Gain	25 dB
Input attenuator control range	0...-18 dB
Mid-stage slope (fixed)	3 dB
Flatness	± 0.5 dB
Noise figure	6 dB
Output level, DIN 45004 B	120 dBµV

General	
Power consumption	7W
Supply voltage	207...255VAC
Input / Output connectors	F female
Dimensions (h x w x d)	102 mm x 197 mm x 57 mm
Weight	0.95 kg
Operating temperature	-20...+55 °C
Class of enclosure	IP20
EMC	IEC60728-2
Additional EMC tests for RF ports	ESD 2 kV / Surge 4 kV

Specifications are typical and subject to change, without notice

Bloc diagram Blockschaltbild



Housing Gehäuse

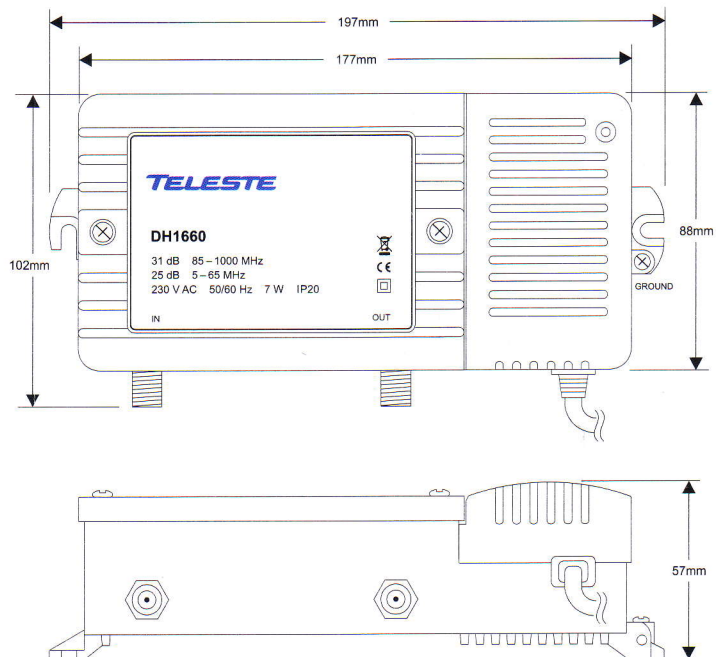


Figure 1. DH1660 Housing dimensions - front and bottom view.
Abbildung 1. DH1660 Gehäuseabmessungen - Vorder- und Untenansicht.